

# User Manual / Installation Guide

## Model No. P101VG / P101VP

**Warning!** It will cause malfunction if the monitor is operating with unspecified power supply adaptor or incorrect power voltage. Do not expose this unit in the rain or moisture environment to reduce the risk of fire or electric shock.

### PRECAUTIONS

- Do not use the monitor near water.
- Do not place the monitor on an unstable cart, stand, or table. If the monitor falls, it can injure a person and cause serious damage to the appliance. Use only a cart or stand recommended by the manufacturer or sold with the monitor. If you mount the monitor on a wall or shelf, use a mounting kit approved by the manufacturer and follows the kit instructions.
- The monitor should be operated with type of power adaptor indicated on the label. Normally it is packed with monitor, or using an adaptor approved by the manufacturer.
- Unplug the unit during a lightning storm or when it will not be used for long periods of time. This will protect the monitor from being damaged due to power surges.
- Never spill liquids on the monitor.
- Do not attempt to service the monitor yourself; opening or removing covers can damage to the monitor or panel. Please refer all servicing to qualified service personnel.
- For Wall mount adaptor, wall socket shall be installed near the equipment and shall be easily accessible.



## Index:

<b>I.</b>	<b>Introduction</b> -----	<b>3</b>
	Features-----	3
	Unpack the monitor-----	3
	Check Accessories-----	3
<b>II.</b>	<b>Installation</b> -----	<b>4</b>
	Power Supply & Signal connection -----	4
	Function Touch Key Control -----	4
	OSD Lock/ Unlock -----	5
	Structure of OSD settings-----	5
<b>III.</b>	<b>For your safety</b> -----	<b>6</b>
<b>IV.</b>	<b>Support timing chart</b> -----	<b>6</b>
<b>V.</b>	<b>Touch panel</b> -----	<b>7</b>
<b>VI.</b>	<b>Mechanical dimension</b> -----	<b>8</b>
<b>VII.</b>	<b>EMC Warning Statement</b> -----	<b>9</b>
	FCC Class A Warning -----	9
	CISPR 22 class A Warning -----	9
<b>VIII.</b>	<b>Product General Specification</b> -----	<b>10</b>

## I. **Introduction**

- This monitor produces clear images with the vivid color at resolutions from VGA up to WXGA and used with graphics adapter of scanning frequency from 30KHz to 82KHz in horizontal sweep while vertical refresh rate is 55Hz to 76Hz continuously.
- On Screen Display provide flexibility with simple & user-friendly controls.
- USB interface Projected Capacitive Touch Panel (for touch model only)

### ➤ **Features**

- 10.1inch diagonal screen with native display resolution 1280 x 800.
- Full flat front panel with high quality Projected capacitive touch panel or cover lens.
- Fully Glossy surface throughout monitor's appearance.
- Rimless front bezel design, spill & dust proof.
- Cable management down routing through the mounting stand.
- Light weight.
- Mitsubishi PMMA cover lens for P101MG.
- Projected Capacitive Touch panel for P101MP.

### ➤ **Unpack the monitor**

- Put the monitor on a clean surface, make sure the box in upright position.
- Remove packing materials from inside of box.

### ➤ **Check accessory**

Please make sure the entire accessory is included:



1.8meter VGA 15 pin  
D-sub video cable



Power Adaptor, the plug  
type could be modified  
by order.



USB cable for Touch  
control  
(For touch model only).

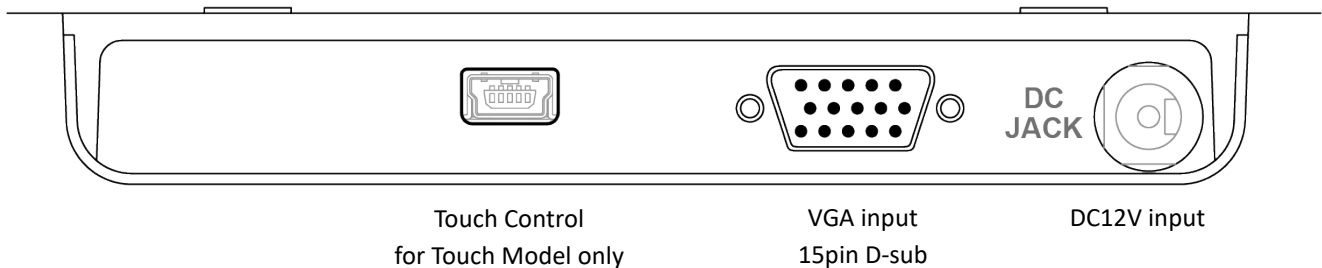
## II. Installation:

### ➤ **Power Supply & Signal connection:**

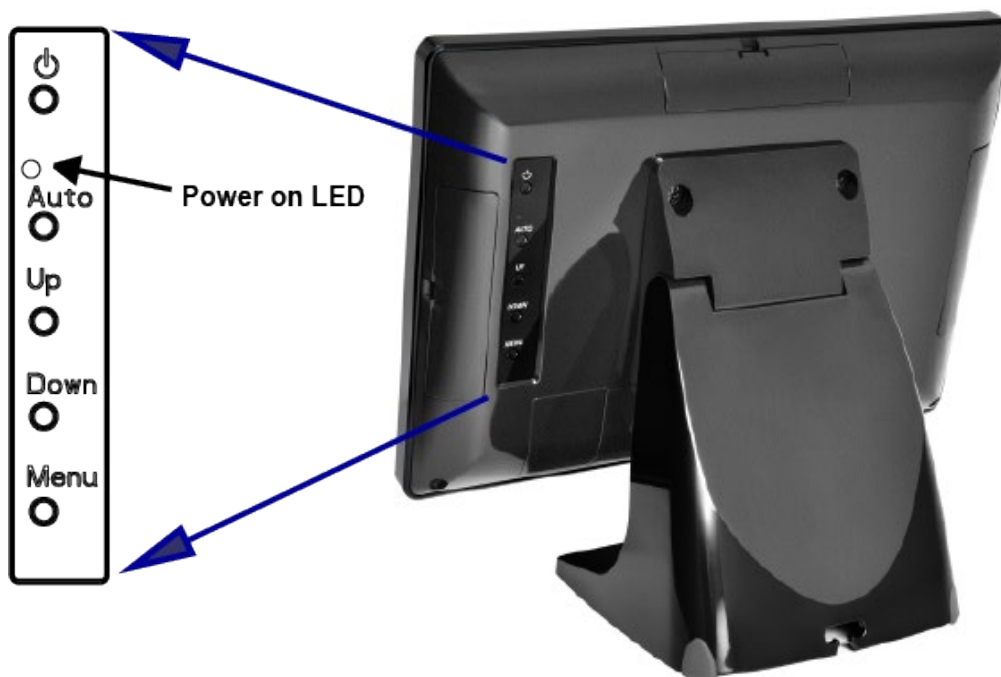
Power supply: Use attached Wall-mount Power adaptor to get 12Vdc power.


VGA signal: Use attached 1.8meter 15pin D-sub VGA cable to connect System PC.

Touch Control: Use attached USB cable to connect system PC.



### ➤ **Function Key Control:**



<p>Power (  )</p>	<p>Use the power switch to turn the power ON or OFF. We recommend turning your system power on first, then the LCD monitor. Press Power key to turn on and press again for 2~3sec. to power off monitor.</p>
<p>Auto Adjust (AUTO)</p>	<p>a. Pressing to execute AUTO-Adjusting function. This function will optimize the display image. b. Sometimes this function can't achieve the optimal effects. Please follow the manual adjusting procedure. c. After OSD menu is activated, press this key can turn off the OSD menu.</p>

Menu (MENU)	a. Press Menu key to activate OSD Menu. b. This key also means "OK". - Press "Up" or "Down" key to move the indicator to the desired item, then press Menu key to select and read to adjust. - After adjustment, press this key to return to previous Menu.
Up ( ▲ )	a. When OSD mode is activated (When "MENU" key is pressed). These two keys are used to select the adjustment items.
Down ( ▼ )	b. When adjustment item is selected, these two keys are defined to decrease or increase the value of each selected item.

➤ **OSD Lock/ Unlock:**

Press "Menu" Key for more than 7 seconds shall lock all control keys' function.

After keys locked, press "Menu" key again for more than 7 second shall unlock the key function.

➤ **Structure of OSD settings:**

Item	Level 1	Level 2	Level 3	Operating Procedure	
Main Menu	Auto Adjust	-	-	Press "UP" or "DOWN" to adjust H-phase & H-position & V-position clock automatically.	
	Luminance	Brightness	-	Press "UP" key to increase brightness, "DOWN" key to decrease brightness.	
		Contrast	-	Press "UP" key to increase contrast, "DOWN" key to decrease contrast.	
		Sharpness	-	Press "UP" key to increase image sharpness, "DOWN" key to decrease image sharpness.	
		Exit	-	Exit to previous Menu.	
	Management	H. Position		Press "UP" key to shift screen left, "DOWN" key to shift screen right.	
		V. Position	-	Press "UP" key to shift picture upward, "DOWN" key to shift picture downward.	
		Pixel Clock	-	To reduce any vertical bars or strips visible on the screen background. Adjusting the Clock will also change the horizontal screen image width.	
		Phase	-	To remove any horizontal noise and clear or sharpen the image of characters.	
		Exit	-	Exit to previous Menu.	
	Color	9300K	-	Press "UP" or "DOWN" to choose three types of color temperature 9300°k, 6500°k, 5400°k and user define.	
		6500K	-		
		5400K	-		
		User Preset	Red		Select User Preset to enter Color Adjust Menu, and select desired color to adjust.
			Green		
			Blue		
	Exit				
Exit	-	-	Exit to Main Menu.		

Main Menu	OSD	H. Position	-		Adjust OSD Menu horizontal position, press "UP" key to shift Menu right, "DOWN" key to shift Menu left.
		V. Position	-		Adjust OSD Menu vertical position, press "UP" key to shift Menu upward, "DOWN" key to shift Menu downward.
		OSD Time	-		Sets the time duration in seconds that the OSD is visible after the last button is pressed.
		Exit	-		Exit to previous Menu.
	Language	English	-		Press Up/Down key to move OSD bar to desired language, then press to confirm. The OSD Menu will change to desired language and return to Main Menu.
		Francais	-		
		Deutsch	-		
		Italino	-		
		Espanol	-		
		日本語	-		
		繁體中文	-		
		简体中文	-		
		Portuguese	-		
		한국어	-		
	русский	-			
	Recall	Recall Color	Yes	No	Press "Yes" to reset Color to factory setting.
		Recall All	Yes	No	Press "Yes" to rest all settings back to factory setting, except language.
		Exit	-		Press "Exit" to return to Main Menu.
	Information	Display Information	-		Press Display information to display resolution and refresh rate.
		Exit	-		Press "Exit" to return to Main Men.
Exit	-	-		Press "Exit" key will close OSD Menu and save the settings.	

### III. For your safety

1. When move the monitor, always switch off power and disconnect all cables to avoid any danger.
2. Please use the power and signal cables correctly when install it.
3. In case of notice any abnormal smell or noise, please stop operation and call the nearest dealer or service center.

### IV. Support timing chart

Timing Mode	Reference Standard	Resolution	Pixel MHz	FH KHz	FV Hz	Interlace
Mode 1	VESA	1280 x 800	83.5	49.702	59.810	NO
Mode 2	VESA	1280 x 768	795	47.78	59.87	NO
Mode 3	VESA	1024 x 768	65.000	48.363	60.004	NO
Mode 4	VESA	800 x 600	40.000	37.879	60.317	NO
Mode 5	VGA	640 x 480	25.17	31.47	59.94	NO
Mode 6	VGA	720 x 400	28.32	31.47	70.08	NO

**V. Touch Panel (For Touch Model only):**

**Projected Capacitive Touch panel:**

Type	: Projected Capacitive
Touch Control Type	: USB
Transmission	: 85%
Touch Control Driver	: eGalax Touch driver( Mouse emulation driver) or supported by driver embedded in OS after windows 7



**Touch Driver installation:**

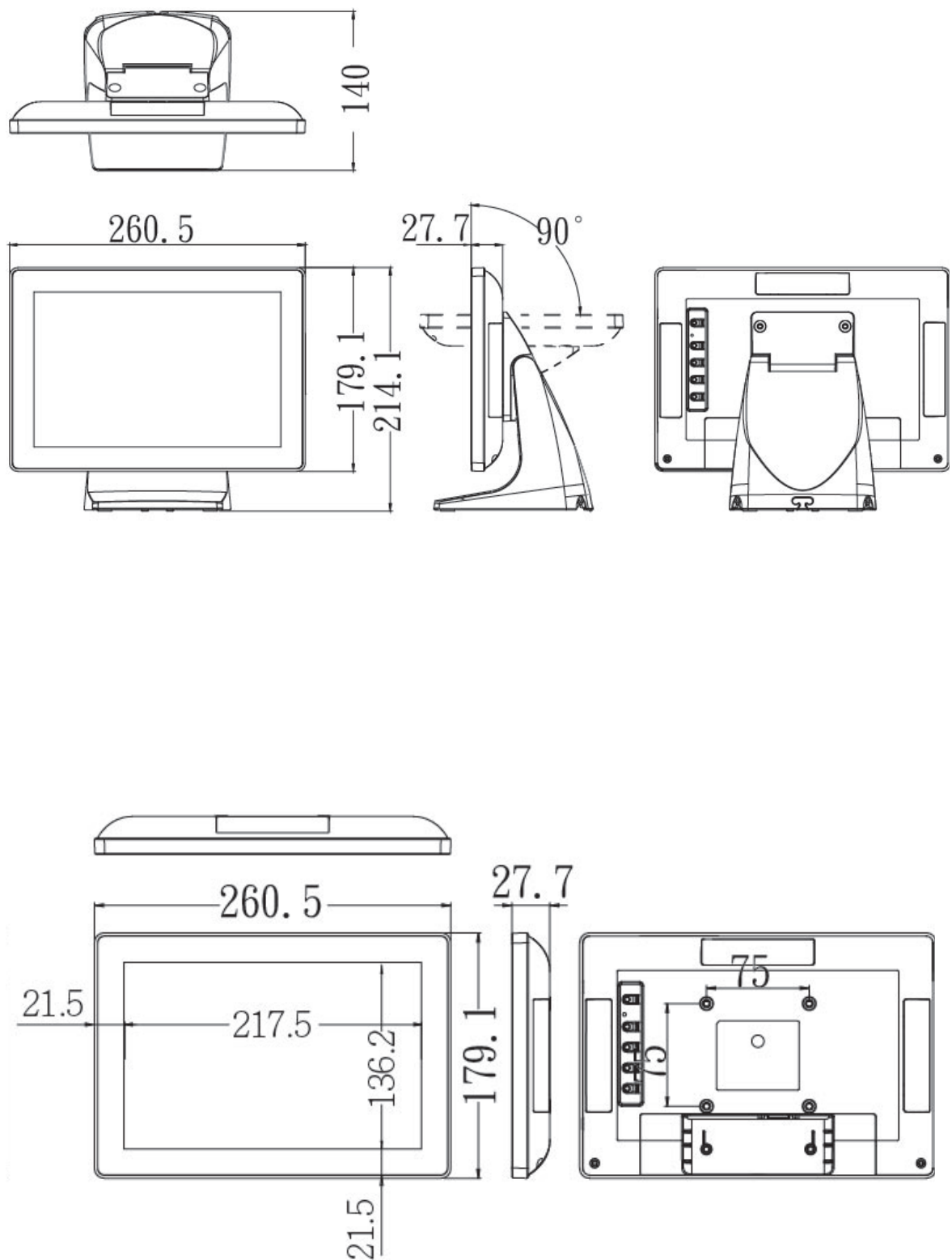
Please go to the EETI website to get Touch Driver

<https://www.eeti.com/drivers.html>

**Note:**

**The driver is a mouse emulation driver, if your Windows version is Windows 7 or later, we suggest you DO NOT install this driver.**

VI. Mechanical dimension





VII. EMC Warning:

## FCC Class A Warning



**Warning**

This equipment has been tested and found to comply with the limits for a Class A digital device, pursuant to Part 15 of the FCC Rules. These limits are designed to provide reasonable protection against harmful interference when the equipment is operated in a commercial environment. This equipment generates, uses, and can radiate radio frequency energy and, if not installed and used in accordance with the instruction manual, may cause harmful interference to radio communications. Operation of this equipment in a residential area is likely to cause harmful interference in which case the user will be required to correct the interference at his own expense.

## CISPR 22 Class A Warning



**Warning**

---

**This is a class A product. In a domestic environment this product may cause radio interference in which case the user may be required to take adequate measures.**

---

## VIII. Product General Specification:

Model	P101VG	P101VP
<b>LCD Panel</b>		
Size	10.1"	
Resolution	1280 x 800	
Aspect Ratio	16:10	
Contrast Ratio (Typ.)	800:1	
Brightness (Typ., cd/m <sup>2</sup> )	400	
MTBF (Min., hrs)	20,000	
<b>Front Cover</b>		
Type	PMMA	10-points projected capacitive touch
Surface Hardness	5H	6H
Transparency	93%	85%
Touch Control Interface	-	mini USB
Touch Control IC	-	EETI
<b>Signal Interface</b>		
VGA	1	1
<b>Power</b>		
Input Voltage	12Vdc	
Power Consumption (Typ., W)	10 W	
Standby power consumption (W)	< 1 W	
AC Power Supply (Vac)	100 ~ 240	
<b>Feature</b>		
Key Control	5 keys (Power / Auto / Up / Down / Menu)	
OSD Language	11 countries (English, French, German, Italian, Spanish, Japanese, Simple Chinese, Traditional Chinese, Portuguese, Korean, Russian)	
<b>Others</b>		
VESA Wall Mount (mm)	75 x 75	
Physical Dimension (with stand, mm)	261 x 215 x 140	
Physical Dimension (w/o stand, mm)	261 x 180 x 30	
Net Weight (with stand, Kg)	1.45 Kg	
Net Weight (w/o stand, Kg)	1.13 Kg	
Operation Temperature ( °C)	0 ~ 40	
Operation Humidity ( % )	20 ~ 80 (non-condensing)	
Storage Temperature ( °C)	-10 ~ 50	
Storage Humidity ( % )	10 ~ 90	
Certification	CE, FCC	

\*Product specification is subject to change without prior notice.

\*Made in Taiwan.